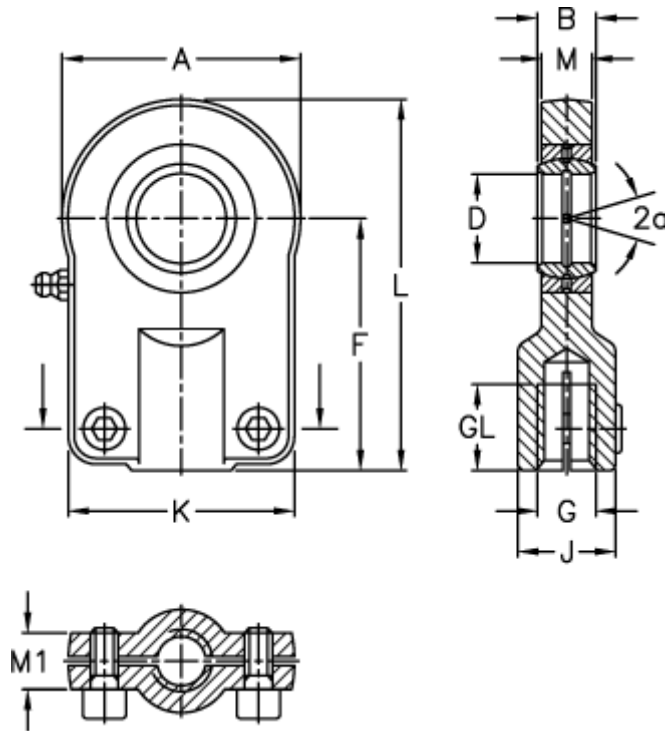


Article number: 03550012

Description: Fluro hydraulic rod end FPR 12S

Measures



A	= 35	J	= 17
a (degrees)	= 11	K	= 35
B	= 10	L	= 59.5
D	= 12	M	= 8
Dynamic load C (kN)	= 10.8	M1	= 13
F	= 42	Static load C0 (kN)	= 17
g	= M10x1,25	Torque (N m)	= 10
GL	= 15	Weight	= 150